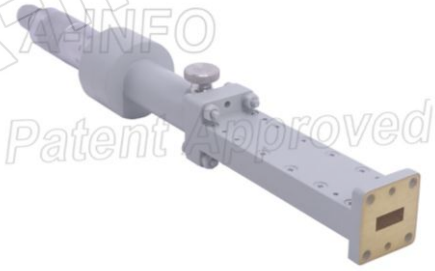


Technical Specification

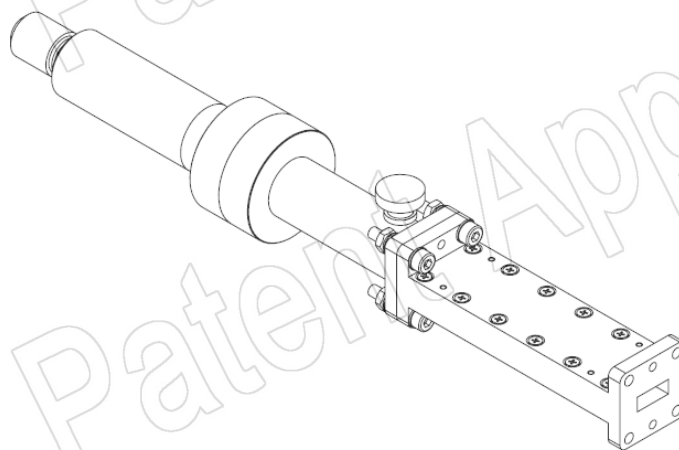
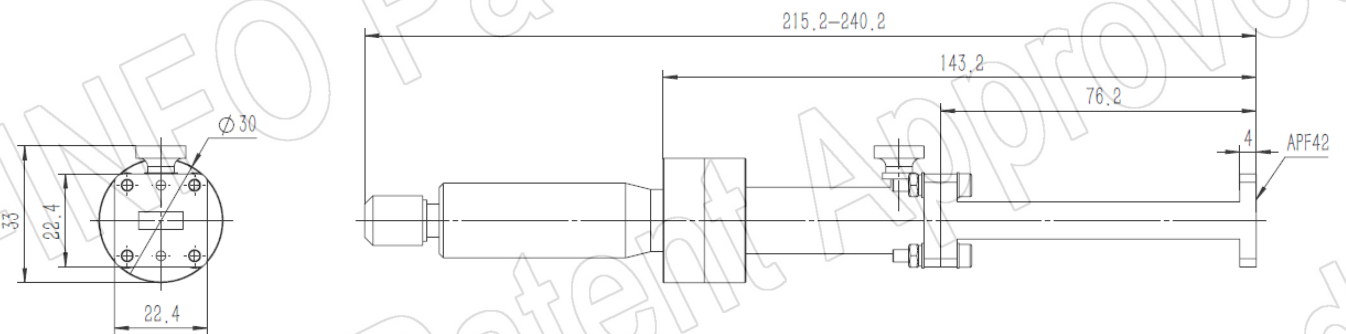
EIA WR	WR42
Frequency Range(GHz)	18.0 – 26.5
VSWR	>50
Flange	APF42
Material	Cu
Size(L)(mm)	215.2~240.2
Net Weight(Kg)	0.38 Around



PATENT ID (China)

ZL202010897766.X, ZL202030750674.X

Outline Drawing (Size: mm)



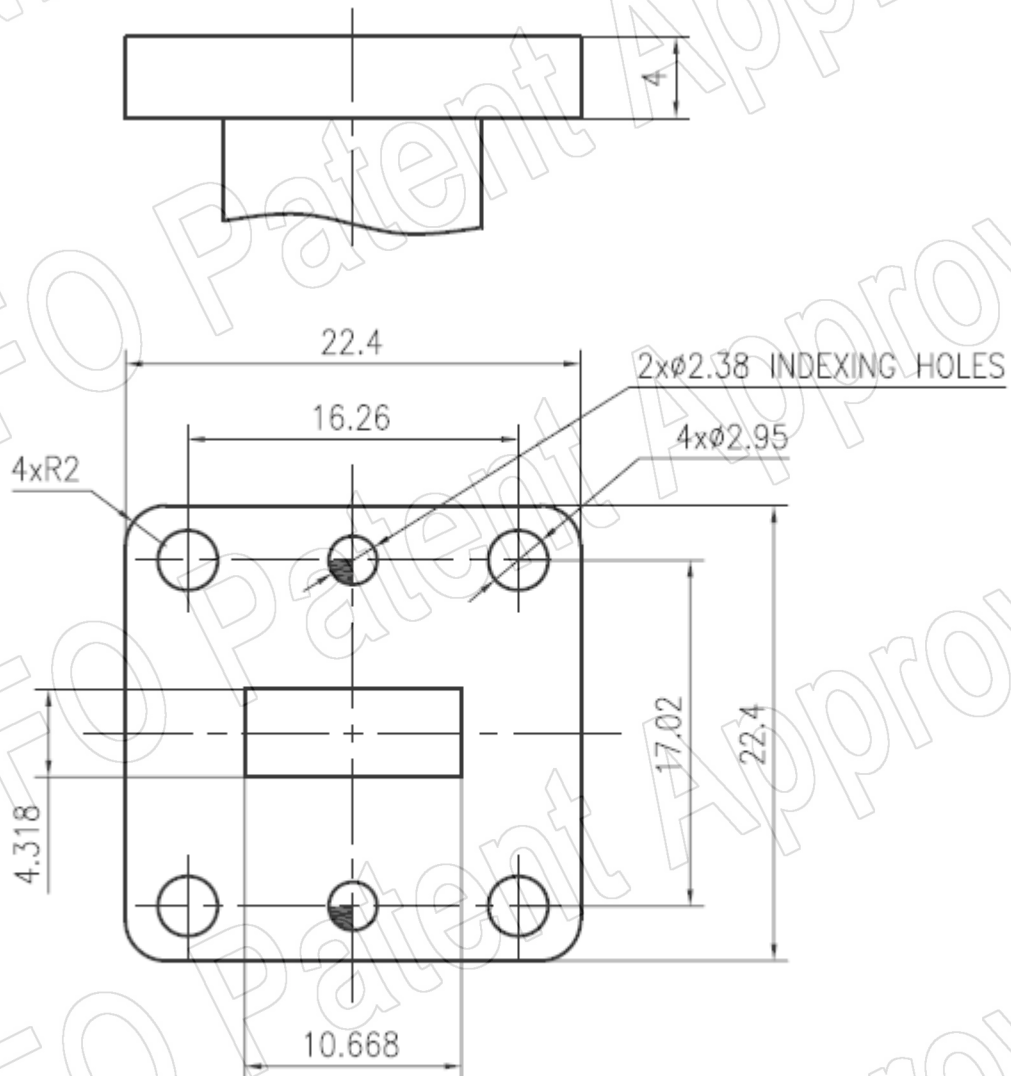
AINFO Inc.

Page 1 of 4

China(Beijing): Tel: (+86) 10-6266-7326, (+86) 10-6266-7327 Fax: (+86) 10-6266-7379
 China(Chengdu): Tel: (+86) 28-8519-2786, (+86) 28-8519-3044 Fax: (+86) 28-8519-3068
 USA: Tel: (+1) 949-639-9688, (+1) 949-639-9608 Fax: (+1) 949-639-9670

Website: www.ainfoinc.com
 Email: sales@ainfoinc.com

Flange Drawing (Size: mm)



APF42

AINFO Inc.

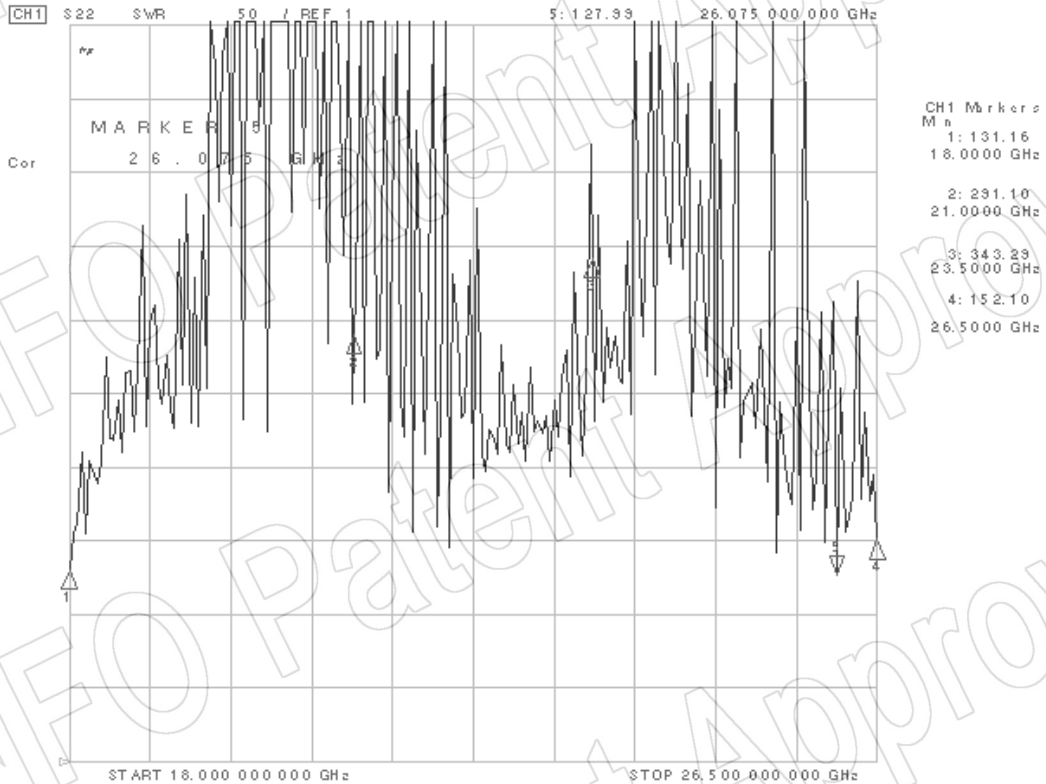
Page 2 of 4

China(Beijing): Tel: (+86) 10-6266-7326, (+86) 10-6266-7327 Fax: (+86) 10-6266-7379
 China(Chengdu): Tel: (+86) 28-8519-2786, (+86) 28-8519-3044 Fax: (+86) 28-8519-3068
 USA: Tel: (+1) 949-639-9688, (+1) 949-639-9608 Fax: (+1) 949-639-9670

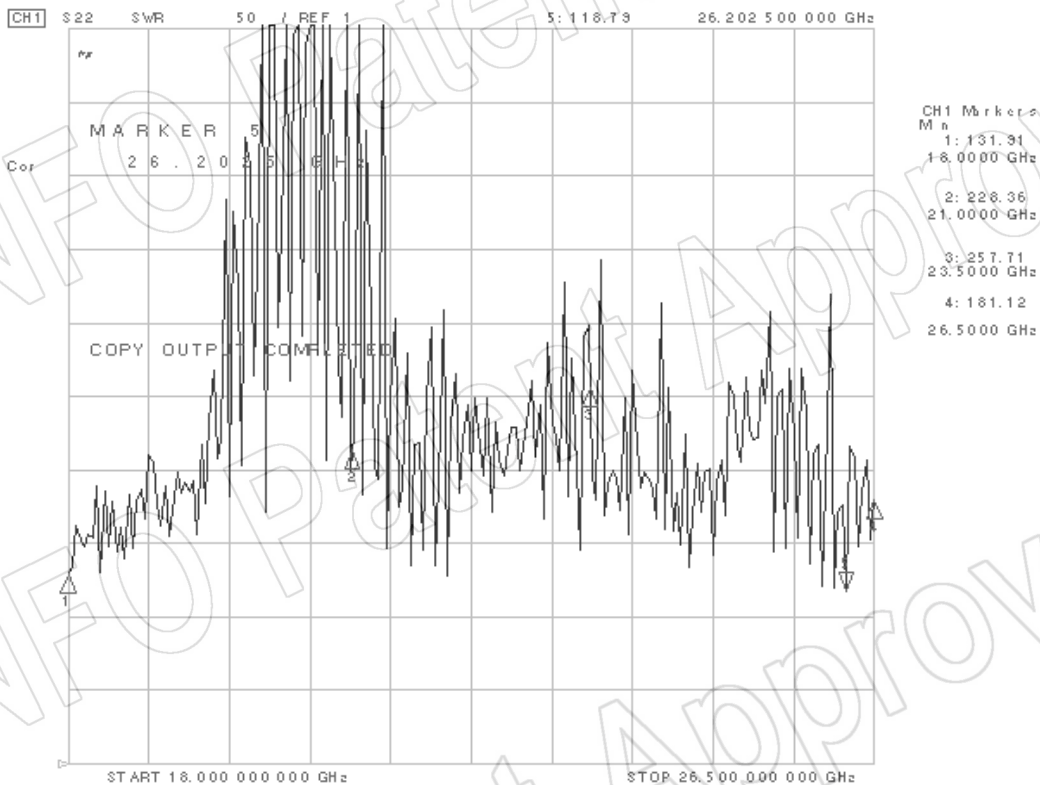
Website: www.ainfoinc.com
 Email: sales@ainfoinc.com

Test Results

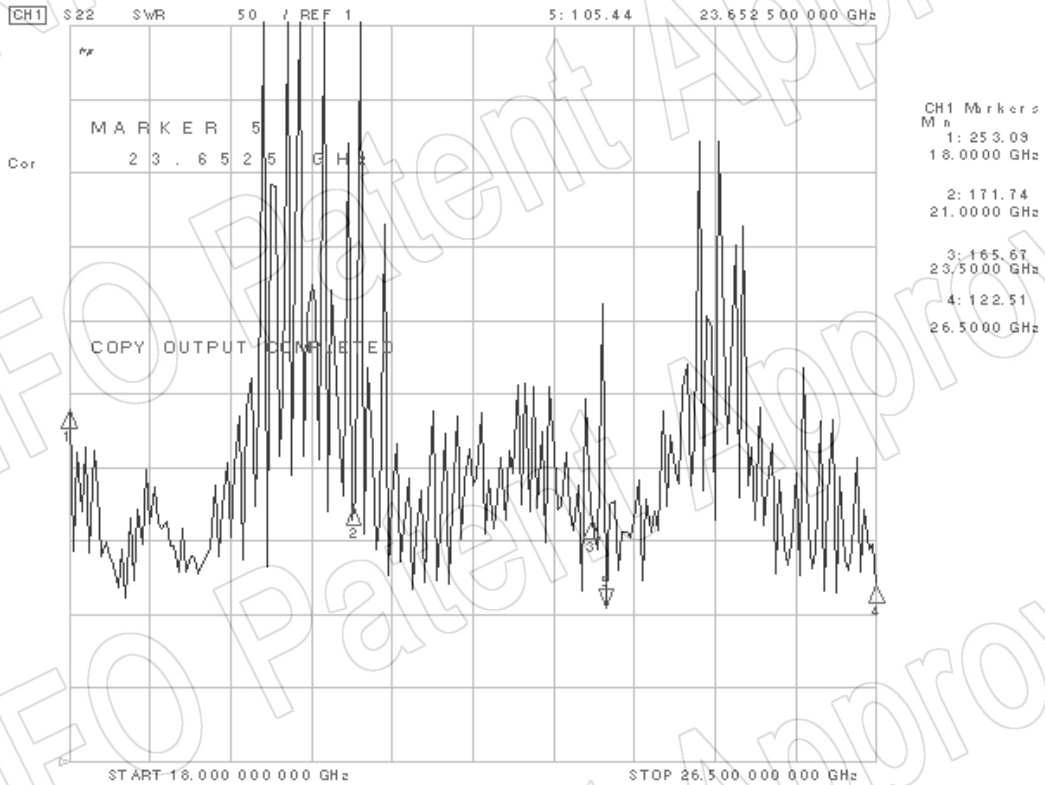
VSWR (at 0mm)



VSWR (at 10mm)



VSWR (at 20mm)



VSWR (at 25mm)

